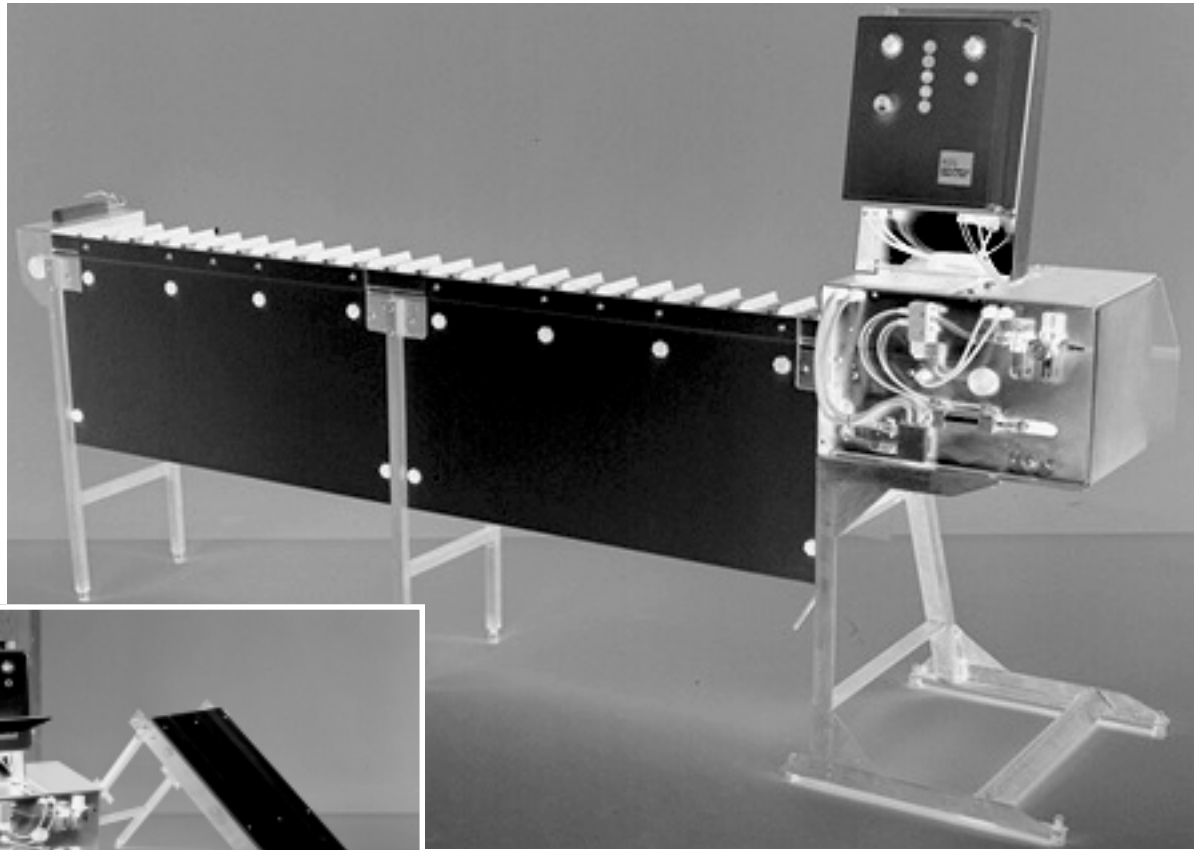


MAXIMIZE PROFITS from Roe Herring Processing



HD1SP—Portable Herring Sex Sorter

The **HD1SP—Portable Herring Sex Sorter** is the latest version of the HD1S machine originally designed in 1987. The HD1SP is a machine that easily disassembles into sections for shipping and storage and easily reassembles for operation. Complete head section contains all operating parts—drive motor, sensors, computer, air systems and sorting gate. No field wiring necessary—just plug in air and attach legs.

Test accuracy on sample fish is 100%!

Benefits

- Designed for Customers who want to “follow the fish”
- Accurate and reliable
- Compact for shipping and storage
- No field wiring necessary
- Proven Neptune HD1S technology
- Ambient “light tight” for safe outside operation
- Easily extended to accommodate more loaders
- Easily installed on RHO infeeds

NEPTUNE DYNAMICS LIMITED

ENGINEERING, MACHINERY DEVELOPMENT, SALES & SERVICE SINCE 1975

#180—6751 Graybar Rd, Richmond, B.C., V6W 1H3 Ph: (604) 244-9836 Fax.: (604) 244-9771 email@neptunedyn.com

HD1SP—Portable Herring Sex Sorting

Features and Specifications

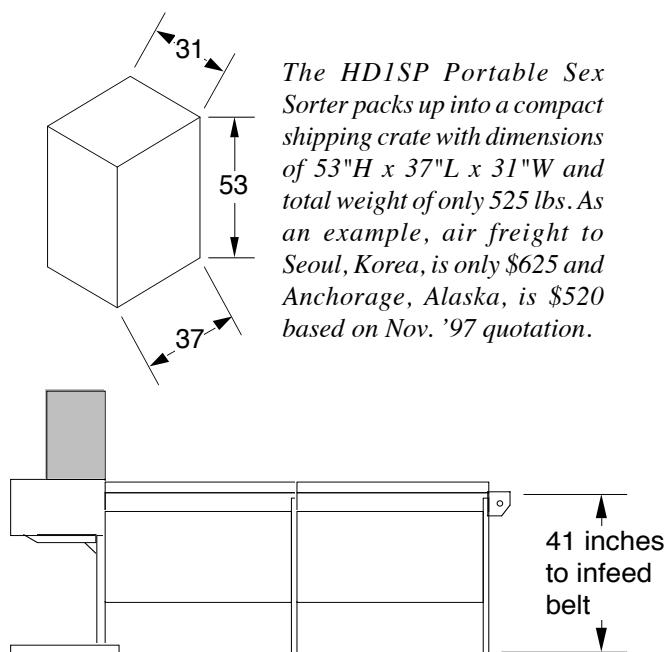
The HD1SP is constructed of Stainless Steel, Plastic and other non-corrosive materials approved for fish processing applications. All electronics are solid state, in water-proof enclosures and designed for a fish plant and shipboard environment.

Special conveyor belts are used for maximum accuracy on fish from 65 grams to 800 grams.

- Disassembles in minutes for easy shipping and storage.
- Converts to left or right handed with no extra parts.
- MODULAR head section contains all operating parts.
- Easily extended or shortened in 4-foot modules according to space requirements.

OTHER LENGTH MODULES AVAILABLE

6 Ft—2 loaders, 10 Ft—4 loaders, 14 Ft—5 or 6 loaders



Service and Support

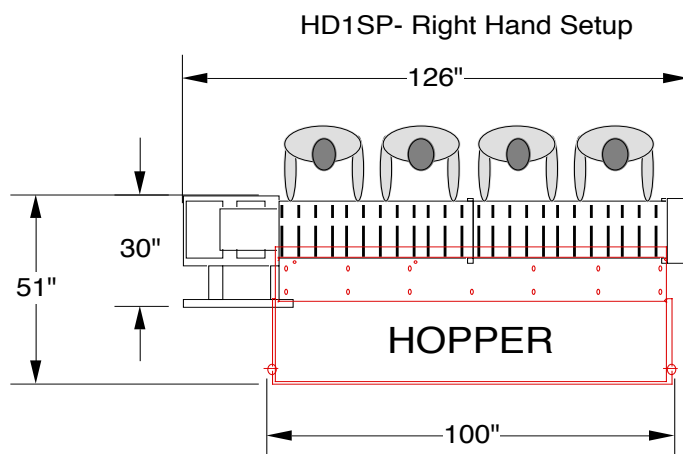
Neptune Dynamics provides Technicians to set up the machines, train your personnel and help organize a quality control system for your sex sorting operation. They are available to travel on 48 hours notice. 24 hour service is provided locally during processing seasons.

Alternate Machinery

Neptune produces an automatic herring roe popper that automatically extracts roe from female herring with little or no damage. This can be attached to the HD1SP for a complete sexing and popping production line that is more cost effective and produces the same or less damage than hand popping.

Options

Fish counters displaying total fish and total male or female counts are optional. Neptune can also provide a stainless steel hopper attachment, as well as power supply voltage options for around the world. Contact Neptune for leasing and special shipboard packages.



Technical Data

Requirements

Water: 1 IMP GPM at 50 psi
Air: 2 CFM at 60 psi
Power: 110 VAC, 60 Hz, 1kW
(Note: 220 VAC, single phase, 50 cycle is available with a transformer)

Number of Loading Operators: 4
Loading Operators, extended length: 5

Capacity: up to 300 herring per minute

Nominal Dimensions

Standard Length: 126"
Extended Length: 174"
Width: 30"
Width including Hopper: 51"
Working Height: 41"
Overall height: 70" (at electronics box)

Net Weights

Standard Length HD1SP: 470 lbs.
Extended HD1SP: 630 lbs.
Hopper: 90 lbs.

Shipping Weights

Standard Length HD1SP: 525 lbs

Shipping Dimensions

HD1SP: 53"H X 31"W X 37"L

NEPTUNE DYNAMICS LIMITED

#180—6751 Graybar Road, Richmond, B.C., Canada, V6W 1H3 Ph: (604) 244-9836 Fax: (604) 244-9771 email@neptunedyn.com

We reserve the right to make modifications without notice. All data given refer to fish of average size and normal structure.

Printed in Canada